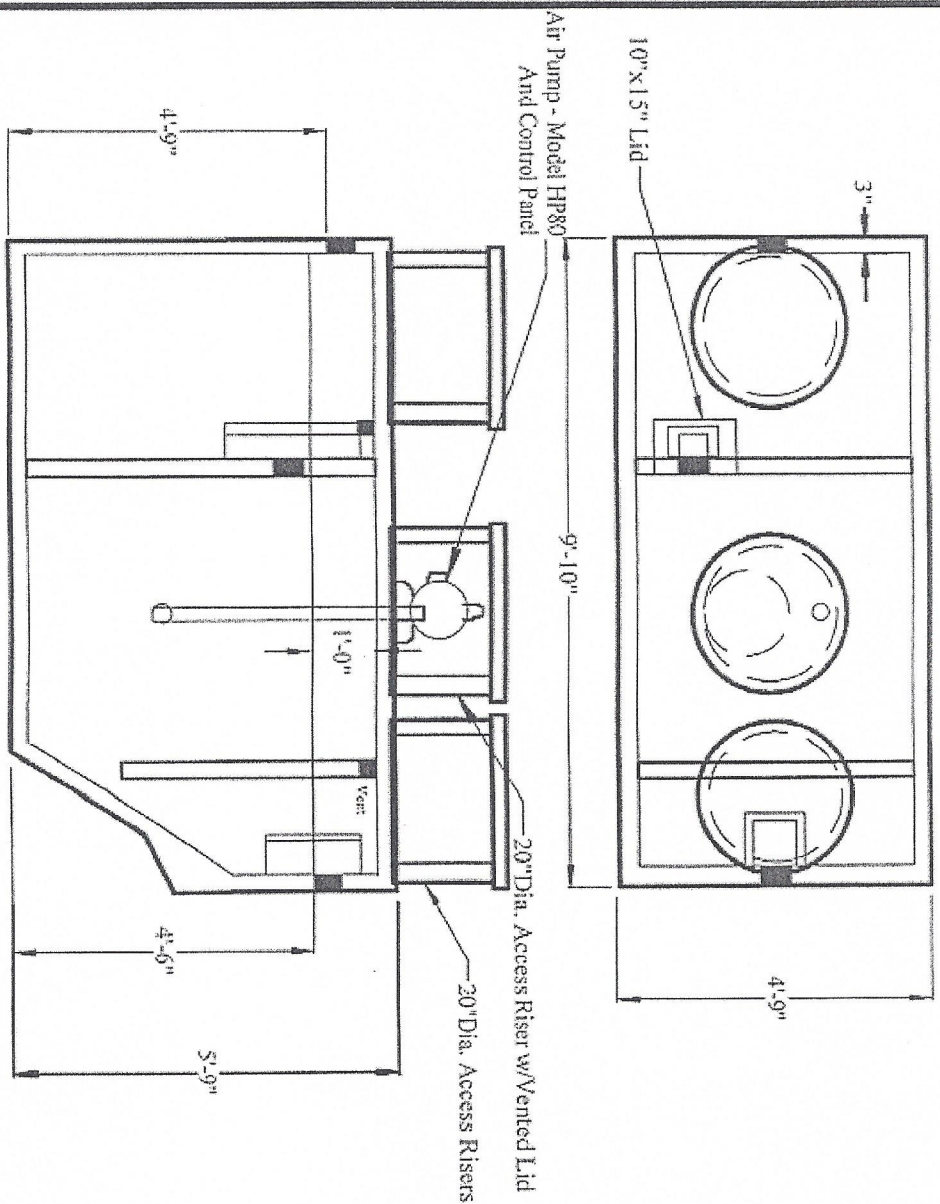
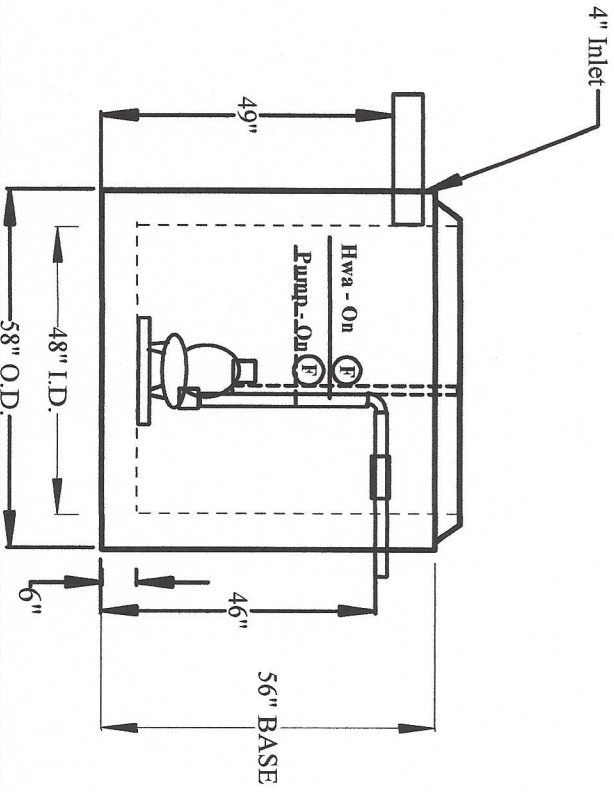
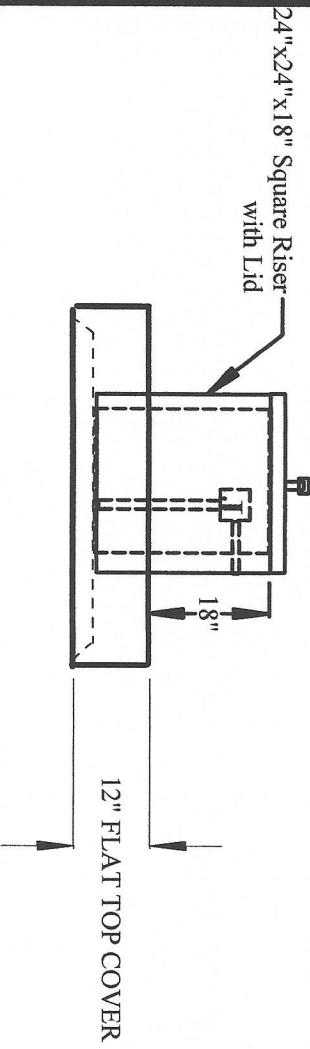
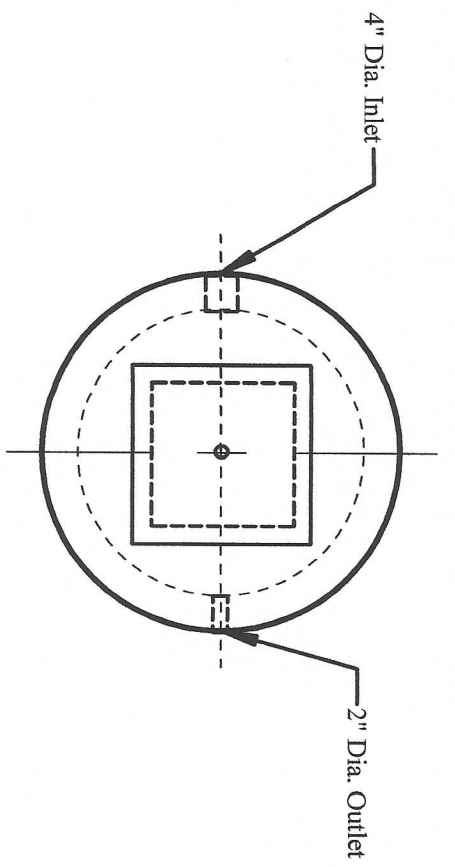


NPDES Open Discharge Pump Lock-Out



COATE CONCRETE PRODUCTS
 P. O. BOX 159, WEST MILTON, OH 45383
 WEST MILTON PHONE: (937) 698-4181
 OHIO WATS PHONE: (800) 762-4066
MODEL: 500 GPD Aeration Tank
 MATERIAL: VIBRATED CONCRETE REINFORCED W/6x6" 1610
 WIRE MESH & 1/2" DIA. STEEL
 ENLARGED OTHERWISE NOTED
 SCALE: None
 DR. BY: R.V.A. DATE: 06/27/01
 DWG. No: 1200 Gal Can SHEET 1 OF 1



Capacity:
300 Gallon Lift Station

Includes:
1 1/2" Pump w/Float Switch
1 1/2" Check Valve
12-2 Electric Wire
Water Resistant Box

Optional:
High Water Alarm

LIFT STATION

COATE CONCRETE PRODUCTS

P. O. BOX 159, WEST MILTON, OH 45383
WEST MILTON PHONE: (937) 698-4181
OHIO WATS PHONE: (800) 762-4066

MODEL: 300 Gallon Lift Station

MATERIAL: VIBRATED CONCRETE REINFORCED W/ 6X6" 10/10

SCALE: 3/8" = 1'-0" UNLESS OTHERWISE NOTED

DR. BY: RA

DATE: 09/26/02

DWG. No: WMLH6-A01 SHEET 1 OF 1